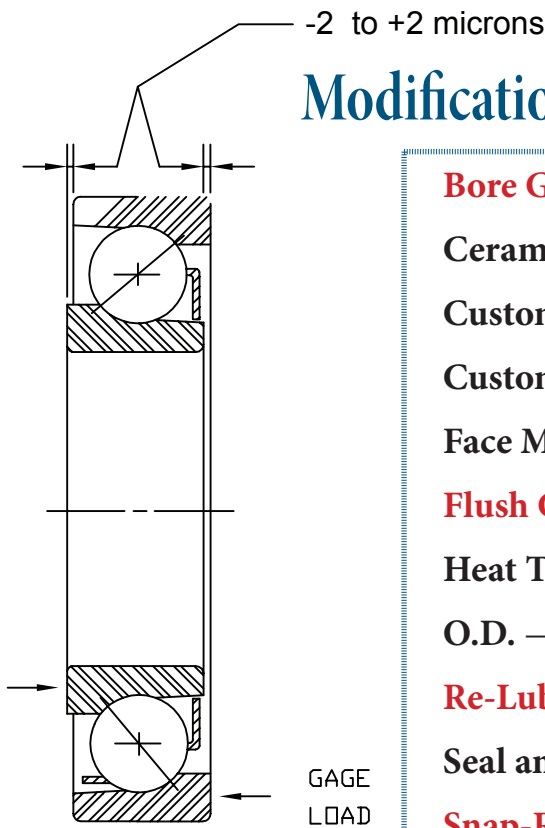


## BEARING MODIFICATION QUICK REFERENCE



### Modification, Re-grease, Rework to Factory Standards

**Bore Grind** — Increase Bore size, Taper Bore (K)

**Ceramic Hybrid** — Convert Standard Bearing to Hybrid

**Custom Bearing** — Customized Bearing Solutions

**Custom Solution** — Engineered Lubrication Solutions

**Face Modification** — Anti-rotation Slots, Lubrication Grooves

**Flush Grind** — Change Pre-load or Clearance

**Heat Treatment** — Heat Stabilization for Extreme Temp

**O.D.** — Reduce OD, Spherical OD, Oil Holes

**Re-Lubrication** — Grease Change - Open, Shield\* or Seal

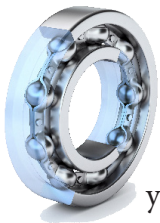
**Seal and Shield** — Remove or Install

**Snap-Ring Groove** — Machine Groove, Install Snap-ring

**Solid Lube** — Install Volution Solid Polymer Lubrication

**Specialty Coating** — Apply Specialty Coatings

\* Double shielded bearings can be regreased without removing shields



**Volution** provides quick solutions to all your hard-to-source bearings, modification needs, special lubrication/re-lubrication, and unique product requirements. **Volution** can manufacture, rework, and modify virtually all bearing designs and size ranges from quantities of 1 to 100,000.



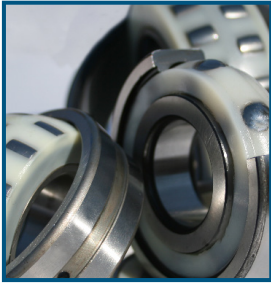
### A higher level of responsive service

What drives **Volution**? Something we call “The **Volution** Way.” It all started with a simple vision — *to be the best bearing lubrication solution company in the world.* We focus on delivering exceptional products and services with guaranteed value. **We believe in excellence and we measure response and turnaround in hours and days...not weeks.**

mitch@volutionbearing.com | www.volutionbearing.com

sales 678.997.1520 | tel 770.725.8551

## SOLID POLYMER QUICK REFERENCE



Volution Solid Polymer	Food Safe	NSF H1	Operating Temperature		High Chemical Resistance	Phymet Cross Reference	SKF Cross Reference
			Low	High			
VPL-3500			-55°F	215°F		MPI-0779, 0800	W-64
VPL-4000F	Yes	Yes	-55°F	215°F		MPF-0696, 1150	W-64F
VPL-5000			-25°F	350°F		MPI-2000, 2400	W-64E
VPL-5500F	Yes	Yes	-25°F	350°F		No Product Offered	No Product Offered
VPL-6500	Yes		-65°F	275°F		No Product Offered	W-64FL
VPL-7000HTF	Yes	Yes	-25°F	450°F*		No Product Offered	No Product Offered
VPL-9000F	Yes	Yes	-35°F	350°F	Yes	No Product Offered	No Product Offered

*All VPL formulas are suitable for industrial applications. Solid polymer lubrication requires minimum bearing loads. F-designation is registered by USDA/NSF as category H1. VPL4000F is also H2 registered.*

*\*Intermittent operating temperature 450°F - maximum recommended continuous operating temperature 400°F.*



### VPL benefits

- Re-lubrication not required
- Solution for wet & contaminated environments
- Ideal when difficult to access for re-greasing
- Eliminate lubrication leakage
- Protect the environment from grease contamination
- Improve plant cleanliness
- Keeps contaminants out of the bearing
- Extend bearing life

**Volution's** advanced solid Polymer Lubricants (VPLs) combine advanced micro-porous polymers with high quality, high-performance synthetic lubricants and other proprietary additives. We offer a variety of advanced lubrication formulas to meet the most demanding applications.



**INNOVATION**

**VPL-9000F** is the **only** solid lubricant on the market suitable for today's harsh food processing environments. **VPL-9000F** resists wash-down and harsh chemical wash-out including, but not limited to, quaternary ammonium compounds, sodium hydroxide, nitric acid, and citric acid.



Nonfood Compounds  
Program Listed H1  
Registration #157176, 158731-158733